

OC95TX cooktop

code OC95TX
ID131106

90cm 5–9-zone ceramic cooktop, touch control



Please note: Omega ceramic cooktops are highly-efficient cooking surfaces. They are at their most efficient with flat-based cooking vessels. We recommend stainless steel exterior based vessels – that is, the surface of the vessel making contact with the ceramic surface be of stainless steel. This flat stainless steel surface will help preserve the unblemished look of the ceramic surface and help avoid scratching and permanent marking.

TOUCH CONTROLS

Each cooking zone has nine heat levels that can be digitally increased or decreased sequentially or brought to full heat or OFF in a one-touch movement.

SAFE OPERATION

The touch controls are designed for, and ensure, the safest of operation. All touch commands within a sequence must be completed within a comfortable timeframe (ten seconds) for any active response. It is virtually impossible for the cooktop to be activated, for instance, when wiping over the control area. The cooktop will always default to the OFF status whenever there is a required follow-through command not completed within ten seconds.

AUDIBLE PROGRESSION

An audible signal is also emitted, as a sensory reassurance, that each touch command is correctly stepped through.

CHILD SAFETY LOCK-OUT

When the cooktop is not being used, an extra precautionary child lock-out status can be programmed via the touch controls. This deliberate sequence is most unlikely ever to be accessed by an exploratory toddler.

AUTOMATIC HEAT-UP

When the automatic heat-up function is activated, the wattage of the selected cooking zone automatically defaults to 100% for a variable time before it automatically switches to a preselected simmer setting.

FINISH	black ceramic glass, 5mm wide, slim stainless steel trim
ACTUAL SIZE	900mmW x 510mmD
CUTOUT	880mmW x 490mmD x 64mmH
INSTALLATION	suits 90cm cabinet, one-piece hob, built-in design
CAPACITY	8600 watts over five zones at their maximum diameters, 36 amps, must be hardwired — 1 x 270/210/120mm diameter concentric zone, 2400/1500/750 watt 1 x 210/120mm diameter concentric zone, 2100/700 watt 1 x 180/120mm diameter concentric zone, 1700/700 watt 2 x 145mm diameter, 1200 watt each zone
THERMOSTAT	nine heat settings per zone
SAFETY	thermostat ON indicator five residual heat indicators thermal overload protection time limiters audible signals with all touch commands
OPTIONS	cast-iron griddle plates ● rectangular 36cm x 21.5cm, code 9379 ● round 24.5cm diameter, code 9376
WARRANTY	two years parts and labour



RESIDUAL HEAT SAFETY

Each cooking zone's control area will flash 'H' for residual heat if the zone is no longer in use but still retains a residual heat of 60° Celsius or above.

PROUD MOUNT

Conventionally, a cooktop installed into a kitchen bench sits slightly above the bench space and is encased by a trim. The OC95TX trim is only 6mm high and 5mm thick. This design aspect is deliberately without any curve to enhance a modern linear look.

ALTERNATIVE FLUSH MOUNT

The narrow trim, perfectly right-angled at only 5mm thick and 6mm high, lends itself for flush mounting into stone and quartz resin benches. In the hands of a good stonemason and installer, it is possible to rebate the bench by 6mm–7mm and have the 5mm wide stainless steel trim flush with the encasing bench.

INSTALLATION

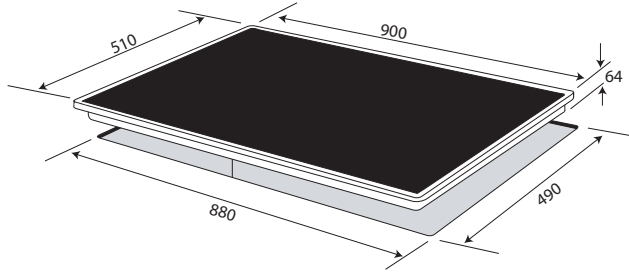
With only a 64–70mm displacement into the benchtop, the cooktop allows for easy installation underbench of either oven, dishwasher, cupboard or drawers.

omega

OC95TX cooktop

code OC95TX
ID131106

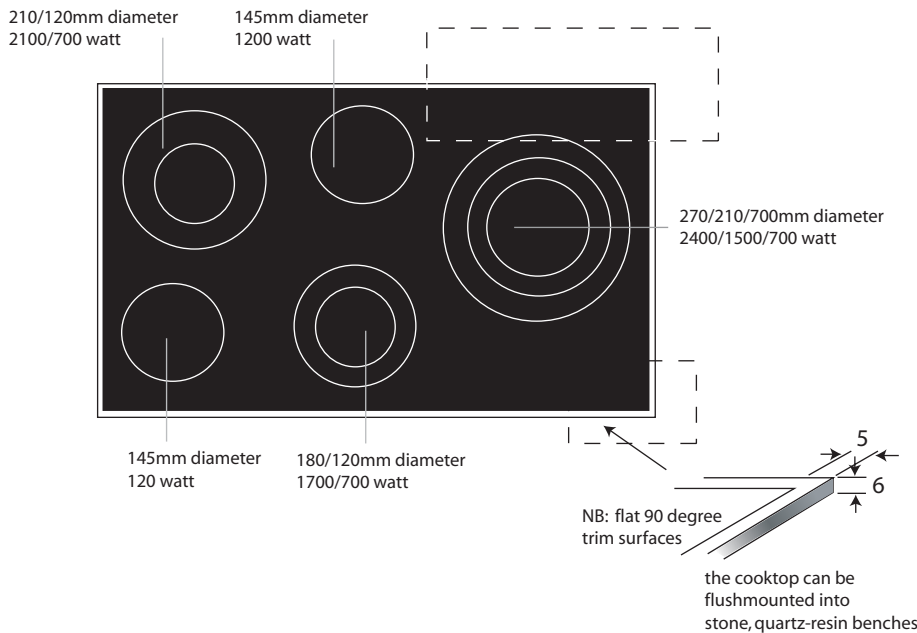
90cm 5-9-zone ceramic cooktop, touch control



HEIGHT	70mm 6mm above bench 64mm below bench
WIDTH	900mm
DEPTH	510mm
CUTOUT	880mmW x 490mmD x 64mmH NB: 70mm H for flushmount
PACKAGED DIMENSIONS	
GROSS WEIGHT	
NET WEIGHT	
ELECTRICAL SUPPLY	240 volt, 50 Hz
ELECTRICAL CONNECTION	hardwired, single phase
MAXIMUM CURRENT	8600 watts, 36 amps
CAPACITY	9 elements over 5 zones <ul style="list-style-type: none"> • 270/210/120mm diameter concentric zone, 2400/1500/750 watt • 210/120mm diameter concentric zone, 2100/700 watt • 180/120mm diameter concentric zone, 1700/700 watt • 2 x 145mm diameter zones, 1200 watt each
THERMOSTAT	nine heat settings per zone
SUPPLIED	clips, seal, instructions for installation, operation, maintenance
SAFETY	6 x residual heat LEDs — fast 'H' at or above 60°C
SUPPLIED	clips, seal, instructions for installation, operation maintenance

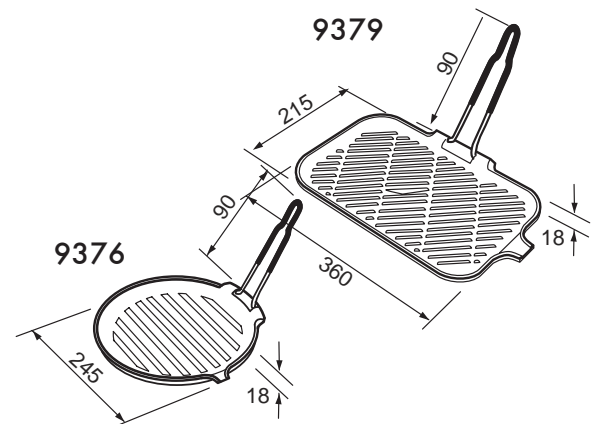
**NB: drawings are not to scale
— they are to assist only**

PLAN



OPTIONS

cast-iron griddle plates



WARNING: technical specifications and product sizes can be varied by the manufacturer without notice. Cutouts for appliances should only be by physical product measurements. The above information is indicative only.